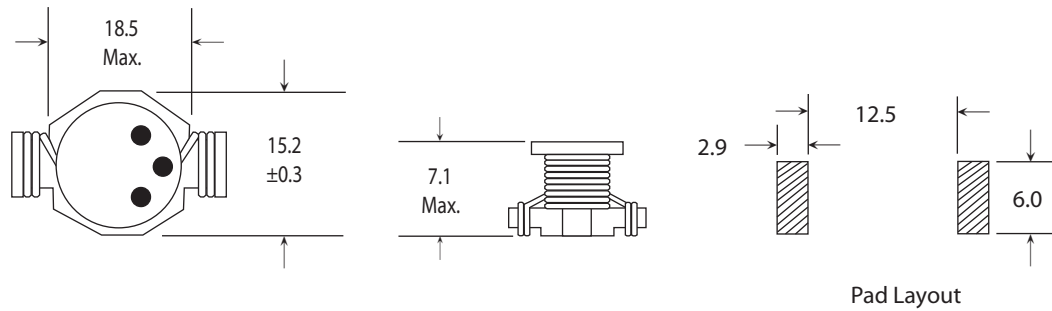


Mechanical Specification


Dimensions: mm

Special Features

- Very high current capacity
- High reliability
- Low DCR
- Ferrite bobbin core
- Compact size
- High heat resistance, ideal for reflow soldering
- Test frequency 100KHz
- Operating temperature -55°C to +105°C
- Tape & reel packaged 350/reel

Notes

- * Saturation DC current to cause 10% max. inductance dropped
- ** Rms current to cause 40°C max. temperature rise

Electrical Specification
VV-8300 SERIES

Part Number	L(uH) ±20%	DCR (Ω) Max.	I _{sat} * (A)	I _{rms} ** (A)
VV-8300-1R0M	1.0	0.011	20	8.6
VV-8300-2R2M	2.2	0.014	16	7.1
VV-8300-3R3M	3.3	0.016	14	6.2
VV-8300-5R6M	5.6	0.022	12	5.3
VV-8300-100M	10	0.032	10	4.3
VV-8300-150M	15	0.036	8	4.0
VV-8300-220M	22	0.047	7	3.5
VV-8300-330M	33	0.066	5.5	3.0
VV-8300-470M	47	0.087	4.5	2.6
VV-8300-680M	68	0.13	3.5	2.3
VV-8300-101M	100	0.19	3.0	1.8
VV-8300-151M	150	0.25	2.6	1.5
VV-8300-221M	220	0.38	2.4	1.2
VV-8300-331M	330	0.56	1.9	1.0
VV-8300-471M	470	0.85	1.4	0.82
VV-8300-681M	680	1.2	1.2	0.72
VV-8300-102M	1000	1.8	1.0	0.56